

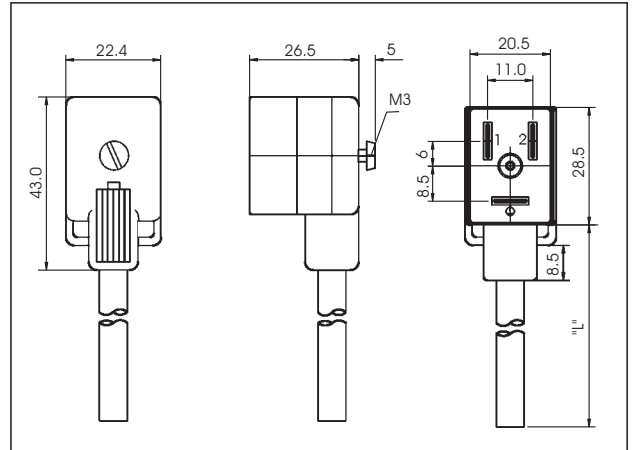
VALVE-CONNECTORS,IP67

View



- Valve connector similar to DIN EN 175301-803
- Industry standard form B
- With built-in LED and varistor voltage protection

Dimensional data



Technical Data

Operating temperature : -25 °C /+80 °C
 Housing/Molded body : TPU, self-extinguishing
 Degree of Protection : IP 67
 Contact : CuZn, nickel-plated and tin-plated

Contact Resistance : $\leq 5m\Omega$
 Nominal current at 40 °C : 4A
 Nominal Voltage : 24V
 Rated Voltage : 32V
 Pollution degree : 3

Catalog Number

Part-No	Poles	Face View female	Color Code	Conductors		Outer Jacket		Circuit Protection
				Guage	Stranding	ϕ mm	Material	
V-FAZDVY052	2+ 		1 = brown 2 = blue \oplus = green / yellow	0.50mm ²	16 x ϕ 0.20	5.5	PUR/PVC	
V-FAZDVV552				0.50mm ²	16 x ϕ 0.20	5.0	PVC irradiated	

"L"=Standard length:2.0m,3.0m,5.0m,10.0m. other cable length or cable specifications on request.

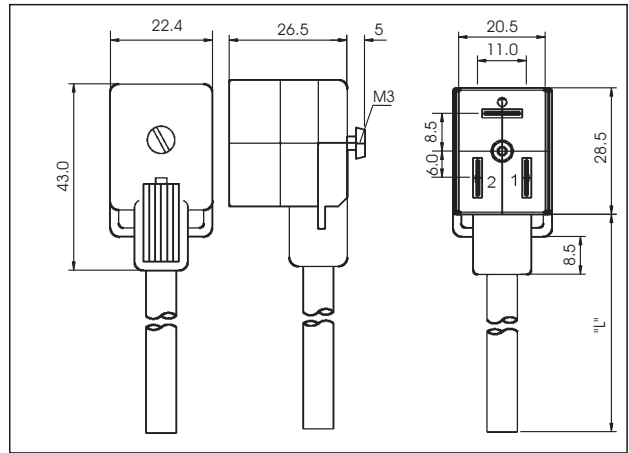
VALVE-CONNECTORS, IP67

View



- Valve connector similar to DIN EN 175301-803
- Industry standard form B
- With built-in LED and varistor voltage protection

Dimensional data



Technical Data

Operating temperature : -25 °C / +80 °C
 Housing/Molded body : TPU, self-extinguishing
 Degree of Protection : IP 67
 Contact : CuZn, nickel-plated and tin-plated

Contact Resistance : $\leq 5m\Omega$
 Nominal current at 40 °C : 4A
 Nominal Voltage : 24V
 Rated Voltage : 32V
 Pollution degree : 3

Catalog Number

Part-No	Poles	Face View female	Color Code	Conductors		Outer Jacket		Circuit Protection
				Guage	Stranding	ϕ mm	Material	
V-FAEDVY052	2+ 		1 = brown 2 = blue = green / yellow	0.50mm ²	16x ϕ 0.20	5.5	PUR/PVC	
V-FAEDVV552				0.50mm ²	16x ϕ 0.20	5.0	PVC irradiated	

"L"=Standard length:2.0m,3.0m,5.0m,10.0m. other cable length or cable specifications on request.

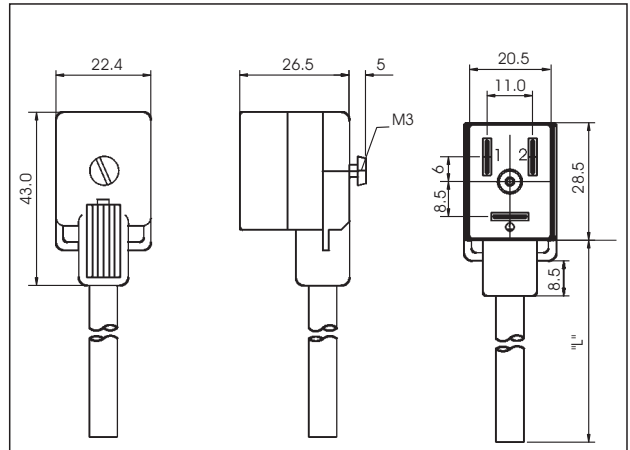
VALVE-CONNECTORS,IP67

View



- Valve connector similar to DIN EN 175301-803
- Form B
- Industry standard construction ,cable exit 0 °
- With built-in LED and suppressor diode voltage protection

Dimensional data



Technical Data

Operating temperature : -25 °C /+80 °C
 Housing/Molded body : TPU, self-extinguishing
 Degree of Protection : IP 67
 Contact : CuZn, nickel-plated and tin-plated

Contact Resistance : $\leq 5m\Omega$
 Nominal current at 40 °C : 4A
 Nominal Voltage : 24V
 Rated Voltage : 32V
 Pollution degree : 3

Catalog Number

Part-No	Poles	Face View female	Color Code	Conductors		Outer Jacket		Circuit Protection
				Guage	Stranding	ϕ mm	Material	
V-FAZDSY052	2+ 		1 = brown 2 = blue = green / yellow	0.50mm ²	16 x ϕ 0.20	5.5	PUR/PVC	
V-FAZDSV552				0.50mm ²	16 x ϕ 0.20	5.0	PVC irradiated	

"L"=Standard length:2.0m,3.0m,5.0m,10.0m. other cable length or cable specifications on request.

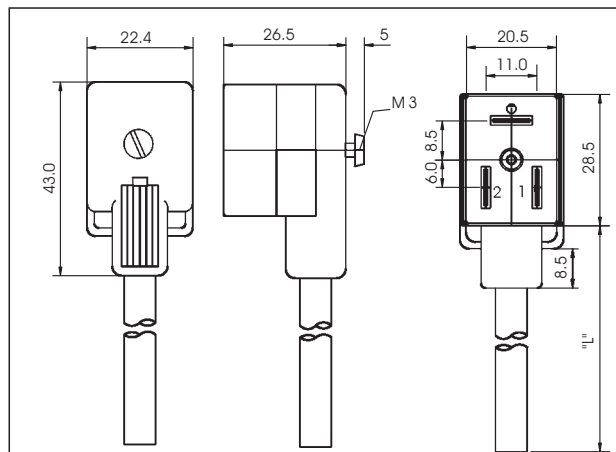
VALVE-CONNECTORS, IP67

View



- Valve connector similar to DIN EN 175301-803
- Form B
- Industry standard construction, cable exit 180 °
- With built-in LED and suppressor diode voltage protection

Dimensional data



Technical Data

Operating temperature : -25 °C /+80 °C

Housing/Molded body : TPU, self-extinguishing

Degree of Protection : IP 67

Contact : CuZn, nickel-plated and tin-plated

Contact Resistance : $\leq 5m\Omega$

Nominal current at 40 °C : 4A

Nominal Voltage : 24V

Rated Voltage : 32V

Pollution degree : 3

Catalog Number

Part-No	Poles	Face View female	Color Code	Conductors		Outer Jacket		Circuit Protection
				Guage	Stranding	ϕ mm	Material	
V-FAEDSY052	2+		1 = brown 2 = blue \oplus = green / yellow	0.50mm ²	16x ϕ 0.20	5.5	PUR/PVC	
V-FAEDSV552				0.50mm ²	16x ϕ 0.20	5.0	PVC irradiated	

"L"=Standard length:2.0m,3.0m,5.0m,10.0m. other cable length or cable specifications on request.

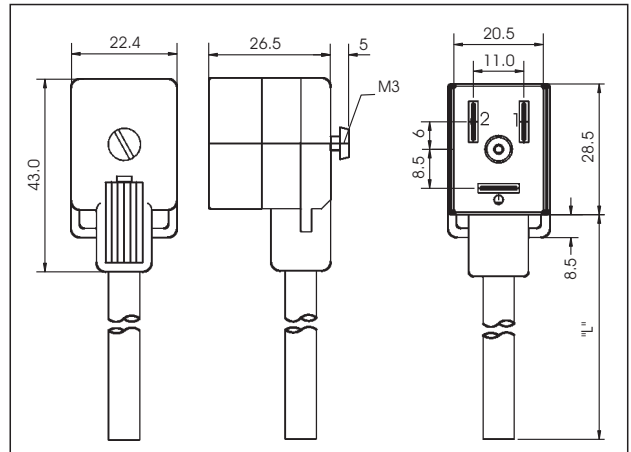
VALVE-CONNECTORS, IP67

View



- Valve connector similar to DIN EN 175301-803
- Industry standard form B
- 2+earth connection
- Without circuitry

Dimensional data



Technical Data

Operating temperature : -25 °C /+80 °C
 Housing/Molded body : TPU, self-extinguishing
 Degree of Protection : IP 67
 Contact : CuZn, nickel-plated and tin-plated

Contact Resistance : $\leq 5m\Omega$
 Nominal current at 40 °C : 4A
 Nominal Voltage : 240V
 Rated Voltage : 250V
 Pollution degree : 3

Catalog Number

Part-No	Poles	Face View female	Color Code	Conductors		Outer Jacket	
				Guage	Stranding	ϕ mm	Material
V-FAZDOV542	2+ 		1 = brown 2 = blue = green / yellow	0.75mm ²	24 x ϕ 0.20	6.0	PVC

"L"=Standard length:2.0m,3.0m,5.0m,10.0m. other cable length or cable specifications on request.

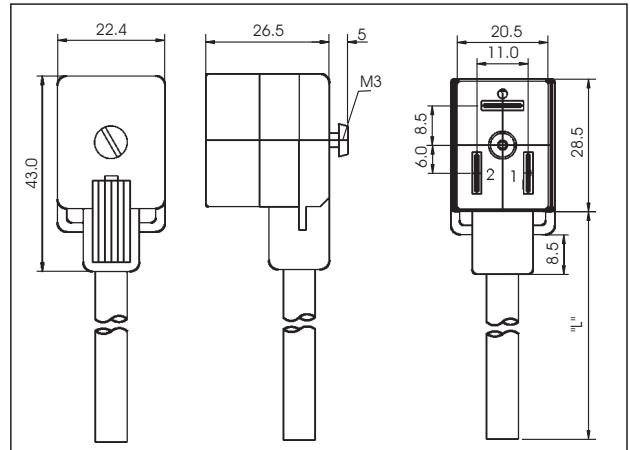
VALVE-CONNECTORS,IP67

View



- Valve connector similar to DIN EN 175301-803
- Industry standard form B
- Cable exit 180°
- Without circuitry
- 2+earth connection

Dimensional data



Technical Data

Operating temperature : -25 °C /+80 °C
 Housing/Molded body : TPU, self-extinguishing
 Degree of Protection : IP 67
 Contact : CuZn, nickel-plated and tin-plated

Contact Resistance : $\leq 5m\Omega$
 Nominal current at 40 °C : 4A
 Nominal Voltage : 240V
 Rated Voltage : 250V
 Pollution degree : 3

Catalog Number

Part-No	Poles	Face View female	Color Code	Conductors		Outer Jacket	
				Guage	Stranding	ϕ mm	Material
V-FAEDOV542	2+ 		1 = brown 2 = blue = green / yellow	0.75mm ²	24 x ϕ 0.20	6.0	PVC

"L"=Standard length:2.0m,3.0m,5.0m,10.0m. other cable length or cable specifications on request.